



TAKEUCHI

TB230

Mini excavator with cabin

The Takeuchi TB230 mini excavator is the best proof that even with a mini excavator you don't have to do without comfort.

Thanks to its compact dimensions, it is ideally suited for transport with a small trailer and is the ideal partner, especially on narrow construction sites. Thanks to its extensive equipment, it is ready for any task.



- › 1st hydraulic circuit, with proportional control with 54 l/min
- › 4 hydraulic circuits, 3 of which have proportional control; adjustable flow rates
- › 4 LED worklights for optimum illumination of working area
- › Available in 2 versions: with canopy or with comfort cabin



For three hours, two days or a whole year - if you need it for your construction site, you can **rent and buy** your TB230 from us.



Huppenkothen added-value equipment:

There is additional equipment that everyone wants.

You therefore get all as standard from Huppenkothen. This makes your excavator more effective, faster and more comfortable.

Put simply - added value.



Exclusive additional equipment



Powerful



Spacious and comfortable operator cabin



Adjustable flow rates

CAB WITH COMFORT EQUIPMENT

Comfort cabin ROPS (ISO12117-2) / OPG (ISO10262 Level I) / TOPS (ISO12117)

5,7" multifunction color display

Heating and Bluetooth-radio

Mechanically cushioned comfort seat

HFM (HUPPIFleetManagement) - telematics system with 2 year term of use, extended for additional charge

ECO mode - to increase economic efficiency

Automatic idle speed control - optimised fuel consumption

Sun shield

TECHNICAL AND SAFETY EQUIPMENT

Double air filter - additional protection for the engine

Spring-loaded accumulator on parking brake

Spring-loaded accumulator on slew brake

Electric refuelling pump

Pressure accumulator for pressure relief of hydraulic circuits and emergency boom lowering

Storage compartment with on-board toolkit

Acoustic overload warning device (EN474-5)

LED worklights

2 x cab at front, 1 x engine hood at front, 1 x boom

Socket on cab roof for rotary beacon

HYDRAULICS

4 hydraulic auxiliary circuits, 3 of which have proportional control

Flow rates adjustable on the display

1st circuit: 3 memories, 2nd/4th circuit: 1 memory

1st hydraulic auxiliary circuit, with proportional control - max. 54 l/min

2nd hydraulic auxiliary circuit, with proportional control - max. 21,6 l/min

3rd hydraulic auxiliary circuit, for hydraulic quick change plate HUPPlate H

4th hydraulic auxiliary circuit, with proportional control - max. 21,6 l/min

Detent Mode - breaker line continuous operation

Hydraulic tank ventilation

Pilot-opened load-holding valve on boom cylinder and arm cylinder

End position damping at boom and swing cylinder

Optional additional equipment and services

HUPPLub

Huppenkothen central lubrication system to ensure everything runs even more smoothly.

/

HUPPView

Bucket position control system for precise work.

/

HUPPLevel

Automated levelling and planing.

/

HUPPIWarranty

Extended premium warranty package with all-round protection.

/

HUPPIFleetManagement

An eye on every machine at all times with fleet management. First 2 years included in purchase price.



MAIN DIMENSIONS	
Service weight* (kg)	3.020
Total width (mm)	1.460
Overall height (mm)	2.525
Transport length - dozer blade at the rear (mm)	4.730
Digging depth (mm)	2.835
Reach (mm)	4.850
Arm length (mm)	1.445
Tail swing radius (mm)	1.330
Tracks	Rubber
Track width (mm)	300
Ground contact (mm)	1.440
Ground pressure (kg/cm ²)	0,293
Ground clearance (mm)	245
Dozer blade dimensions (mm)	1.450 x 355

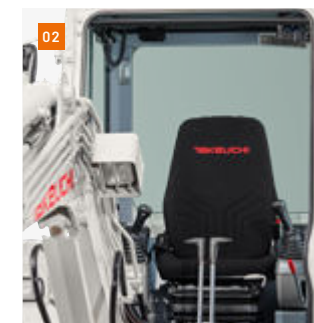
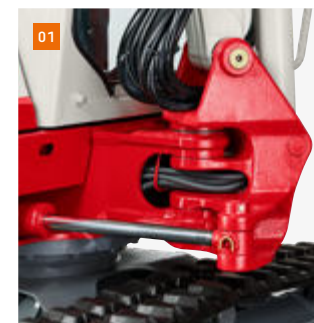
* Machine weight + PT + HUPPPlate + medium size bucket + half a tank of diesel

ENGINE	
Type	Yanmar 3TNV88F 3-cylinder diesel engine Stage V emission level
Rated output ISO14396 (kW)	18,2 kW @ 2.400 r.p.m.
Displacement (cm ³)	1.642
Fuel tank (l)	46

WORK PERFORMANCE	
Travel speed (km/h)	2,9 (1 st gear) / 5,2 (2 nd gear)
Slew speed (rpm)	10,3
Gradeability (degrees/%)	30 / 58
Boom swing angle l/r (°)	79 / 58
Digging force bucket (kN)	20,9
Digging force arm (kN)	12,9
Digging force boom (kN)	15,4

HYDRAULIC SYSTEM	
Hydraulic pumps	Double variable axial piston pump + 2 x gear pump
Pump pressure (bar)	210 x 210 x 200 x 34
Flow rate (l/min)	32,4 x 32,4 x 21,6 x 10,8
Hydraulic tank (l)	35 (tank) / 56 (total)
Slew motor type	Axial piston motor, rigid
Travel motor type	Axial piston motor, variable

AUXILIARY CONTROL CIRCUITS	
1 st control circuit hydraulic breaker (l / min) adjustable flow rate 3 memories for the flow rates	54
2 nd /4 th control circuit Powertilt / grab (l / min) adjustable flow rate 1 memory for the flow rate	21,6



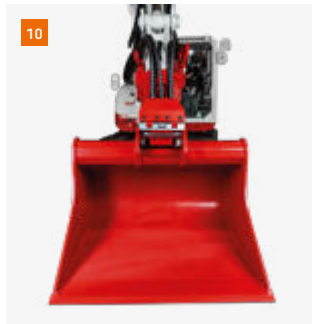
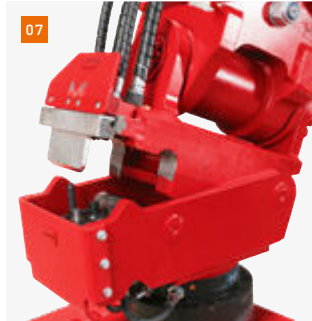
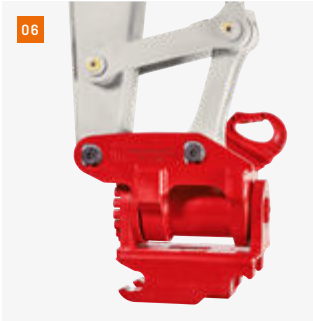
01 Robust boom swing assy with specially protected hose guide and hydraulic boom swing; lifting and swing cylinder with end position damping.

02 Sound-damped, low-vibration comfort cab with mechanically cushioned comfort seat.

03 User-friendly arrangement of the additional functions.

04 Generous maintenance hatches for optimum accessibility to hydraulic and fuel maintenance components, battery and radiator cleaning.

05 Track rollers with inner and outer guide for safe rubber track running. Double short-pitch rubber tracks for low-vibration driving.



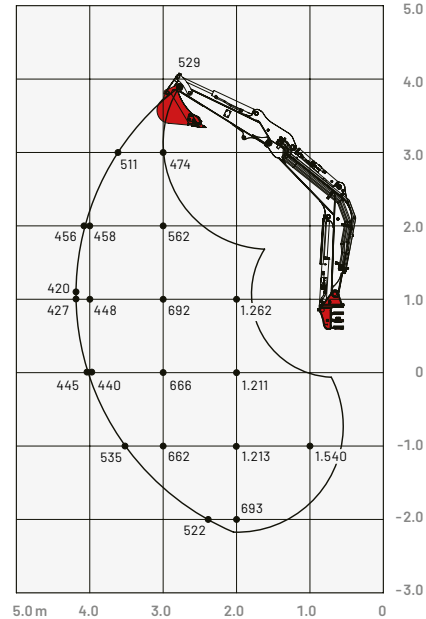
- 06 HUPPTilt tilt device with hydraulic quick change plate HUPPPlate H
- 07 HUPPQuick quick coupling system: Hydraulic connections are connected automatically during the quick coupling process
- 08 HUPPBREAK hydraulic breaker 102
- 09 HUPPGrip universal grabber UG04 II with HUPPTilt
- 10 HUPPTilt with HUPPPlate H, digging bucket can be mounted as high bucket
- 11 Earth drill - X2500
- 12 Add-on compactor - Ammann APA20/30
- 13 Wood grapple - Lasco LA1200H



More accessories at
[huppenkothen.com/
 excavator-accessories](http://huppenkothen.com/excavator-accessories)

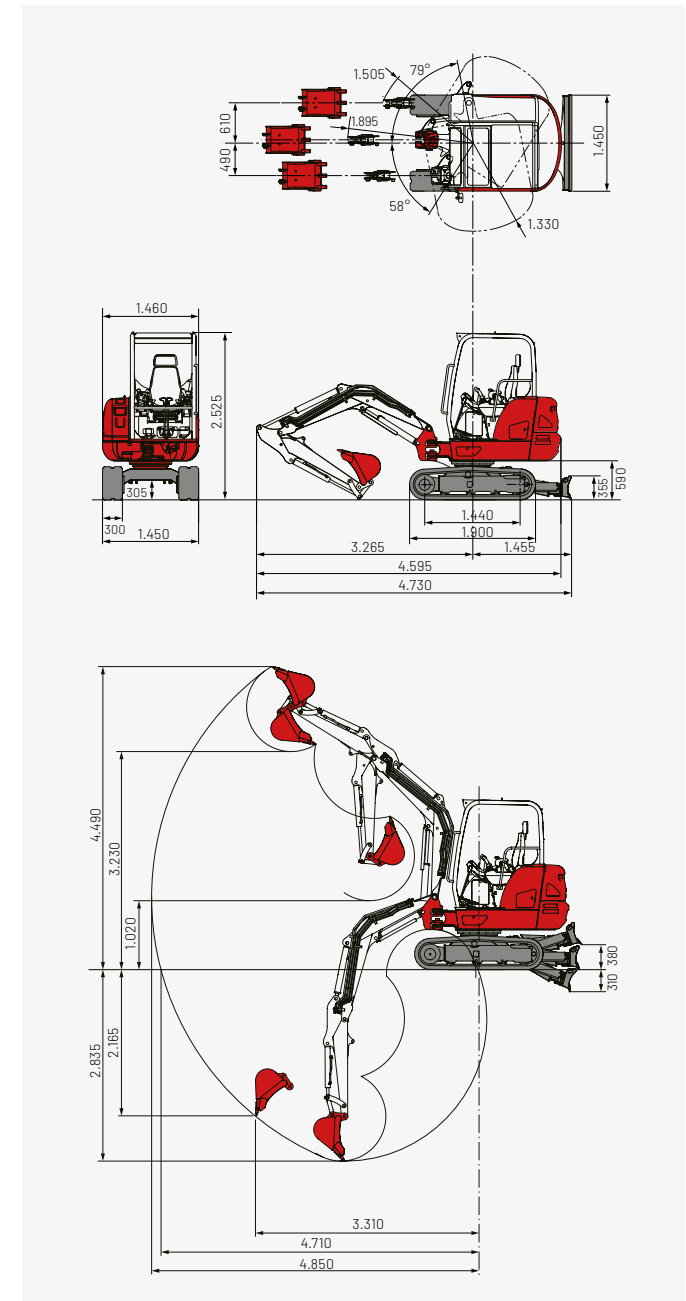
Lifting load (kg)

Forward (upper dozer blade)



The loads in the diagram are within 87% of the hydraulic lifting load and within 75% of the tipping load.

Dimensions (mm)



Huppenkothen – your construction site, your partner, your success!

If you're looking to buy or rent a construction machine, if quality is important to you and you have no time to lose, then you've come to the right place with Huppenkothen. We provide all you need for your construction site. If you have any questions:

We are always available.

41
Locations

350
Employees

4.500+
Machines

100 %
Service

AUSTRIA (AT)

/

Huppenkothen GmbH

Bundesstraße 117 / 6923 Lauterach
T +43 50 663 400 / F +43 5574 778 24
info@huppenkothen.com

SWITZERLAND (CH)

/

Huppenkothen Baumaschinen AG

Hinterwiden / 9245 Oberbüren
T +41 71 944 18 11 / F +41 71 944 18 69
oberbueren@huppenkothen.com

SOUTH-TIROL (IT)

/

Huppenkothen GmbH / SRL

Peter-Anich-Straße 1 / 39011 Lana (BZ)
T +39 0473 491 170 / F +39 0473 491 171
lana@huppenkothen.com

SLOVENIA (SVN)

/

Huppenkothen d.o.o.

Slovenčeva ulica 97, 1113 Ljubljana
T +386 15 300 333 / F +386 15 300 344
ljubljana@huppenkothen.com

The complete
Huppenkothen
product range

