



TAKEUCHI

TB216

Mini excavator with cabin or canopy

The **TB216** has been one of our best-selling models for years. It impresses with its manoeuvrability on narrow construction sites or during renovation work in buildings. The boom cylinder, which is designed as a neck cylinder, offers optimum protection. Thanks to its hydraulically widenable undercarriage, the TB216 has unsurpassed stability.



- › 1st hydraulic circuit, with proportional control with 33,6 l/min
- › 3 hydraulic circuits, 2 of which have proportional control
- › Hydraulic track width adjustment - for more stability
- › Lifting cylinder is designed as a neck cylinder and offers optimum protection even during demolition work
- › Available in 2 versions: with canopy or with comfort cabin



For three hours, two days or a whole year - if you need it for your construction site, you can **rent and buy** your TB216 from us.



Huppenkothen added-value equipment:

There is additional equipment that everyone wants.

You therefore get all as standard from Huppenkothen. This makes your excavator more effective, faster and more comfortable.

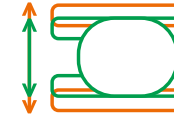
Put simply - added value.



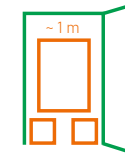
Exclusive additional equipment



Powerful



Variable track width



Compact

TECHNICAL AND SAFETY EQUIPMENT

Canopy/Cabin ROPS (ISO12117-2) / OPG (ISO10262 Level I) / TOPS (ISO12117)

3,5" LCD-display incl. fuel and temperature indicator

Heating and radio (only cabin version)

Mechanically cushioned comfort seat

HFM Basic (HUPPIFleetManagement) - telematics system with 2 year term of use, extended for additional charge

Double air filter - additional protection for the engine

Spring-loaded accumulator on parking brake

Spring-loaded accumulator on slew brake

Pressure accumulator for pressure relief of hydraulic circuits and emergency boom lowering

Lifting points on the roof (only cabin version)

Acoustic overload warning device (EN474-5)

Storage compartment with on-board toolkit

Socket for rotary beacon (only cabin version)

Dozer blade with extensions - depending on track width

HYDRAULICS

3 hydraulic auxiliary circuits, 2 of which have proportional control

1st hydraulic auxiliary circuit, with proportional control - max. 33,6 l/min

2nd hydraulic auxiliary circuit, with proportional control - max. 10,8 l/min

3rd hydraulic auxiliary circuit, for hydraulic quick change plate HUPPlate H

Hydraulic track width adjustment - for more stability

Mechanical switch valve - pressureless return flow for breaker operation

Hydraulic tank ventilation

Pilot-opened load-holding valve on boom cylinder

End position damping at boom and swing cylinder



Optional additional services

HUPPIWarranty

Extended premium warranty package with all-round protection.

HUPPIFleetManagement

An eye on every machine at all times with fleet management. First 2 years included in purchase price.

MAIN DIMENSIONS	
Service weight* (kg)	1.860 (canopy) 1.960 (cabin)
Total width (mm)	985 (canopy) 1.055 (cabin) 1.300**
Overall height (mm)	2.280 (canopy) 2.360 (cabin)
Transport length - dozer blade at the rear (mm)	4.040
Digging depth (mm)	2.390
Reach (mm)	4.090
Arm length (mm)	1.130
Tail swing radius (mm)	1.075
Tracks	Rubber
Track width (mm)	230
Ground contact (mm)	1.155
Ground pressure (kg/cm ²)	0,29 (canopy) 0,31 (cabin)
Ground clearance (mm)	205
Dozer blade dimensions (mm)	980 (1.300**) x 310

* Machine weight + PT + HUPPPlate + medium size bucket + half a tank of diesel

** max. track width

ENGINE

Type	Yanmar 3TNV70 3-cylinder diesel engine Stage V emission level
Rated output ISO14396 (kW)	11,5 kW @ 2.400 r.p.m.
Displacement (cm ³)	854
Fuel tank (l)	22

WORK PERFORMANCE

Travel speed (km/h)	2,2 (1 st gear) / 4,2 (2 nd gear)
Slew speed (rpm)	9,2
Gradeability (degrees/%)	15 / 27
Boom swing angle l/r (°)	80 / 50

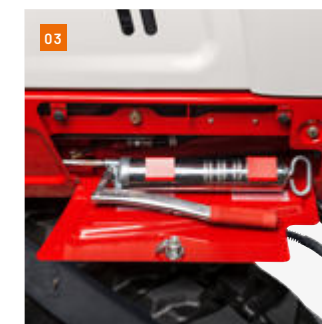
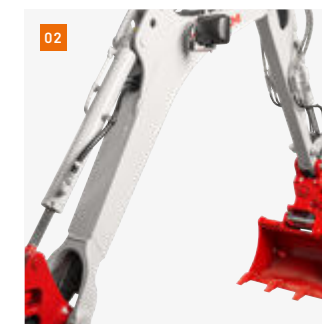
Digging force bucket (kN)	14
Digging force arm (kN)	8,2
Digging force boom (kN)	7,4

HYDRAULIC SYSTEM

Hydraulic pumps	Double variable axial piston pump + 2 x gear pump
Pump pressure (bar)	210 x 210 x 200 x 34
Flow rate (l/min)	16,8 x 16,8 x 10,8 x 6,5
Hydraulic tank (l)	16 (Tank) / 24,5 (total)
Slew motor type	Axial piston motor, rigid
Travel motor type	Axial piston motor, variable

AUXILIARY CONTROL CIRCUITS

1 st control circuit hydraulic breaker (l / min)	33,6
2 nd control circuit Powertilt / grab (l / min)	10,8



01 Ergonomic workplace for fatigue-free work.

02 Boom cylinder is designed as a neck cylinder and offers optimum protection even during demolition work.

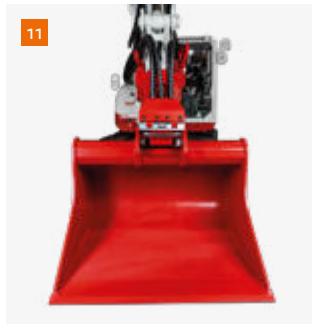
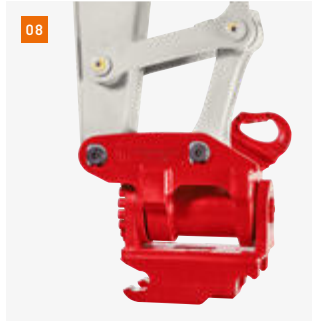
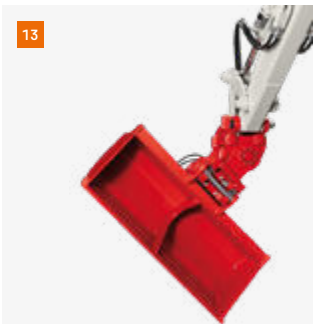
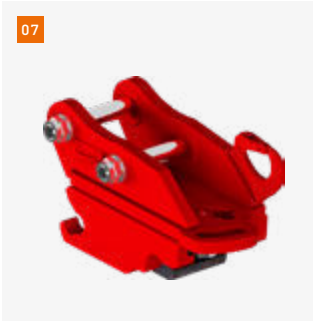
03 Lockable storage compartment for grease gun.

04 Hydraulic track width adjustment - for more stability.

05 Long dozer blade made of torsion-free steel with manual widening.

06 Generous maintenance hatch for optimum accessibility to hydraulic and fuel maintenance components, battery and radiator.





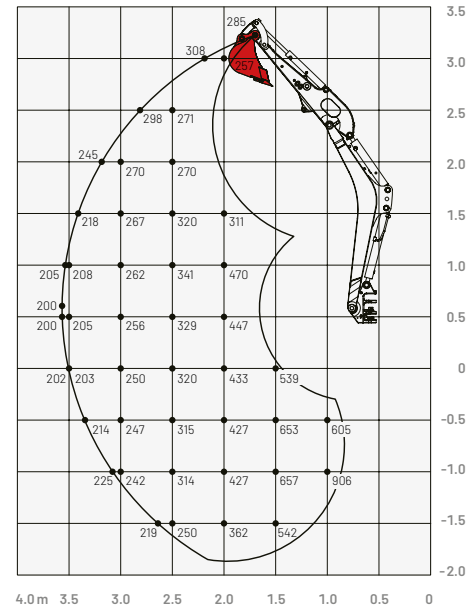
- 07 Mechanical quick change plate HUPPPlate M
- 08 HUPPTilt tilt device with hydraulic quick change plate HUPPPlate H
- 09 HUPPBREAK hydraulic breaker 72
- 10 HUPPGrip universal grabber UG02 with HUPPTilt
- 11 HUPPTilt with hydraulic quick change plate HUPPPlate H, digging bucket can be mounted as high bucket
- 12 Earth drill - X2500
- 13 HUPPTilt with fixed trench bucket
- 14 Ripper Martin



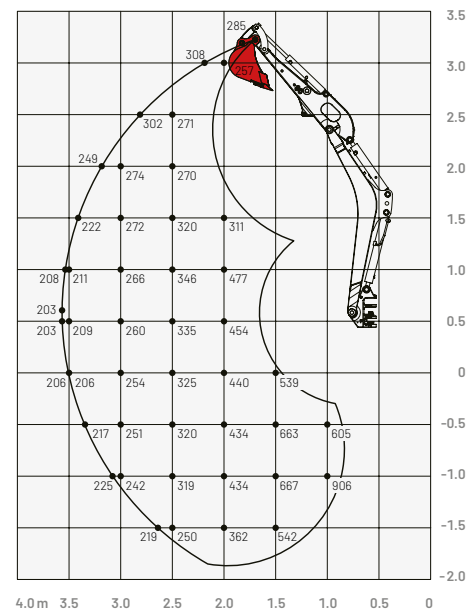
More accessories at
[huppenkothen.com/
 excavator-accessories](http://huppenkothen.com/excavator-accessories)

Lifting load (kg)

Cabin, forward (upper dozer blade)

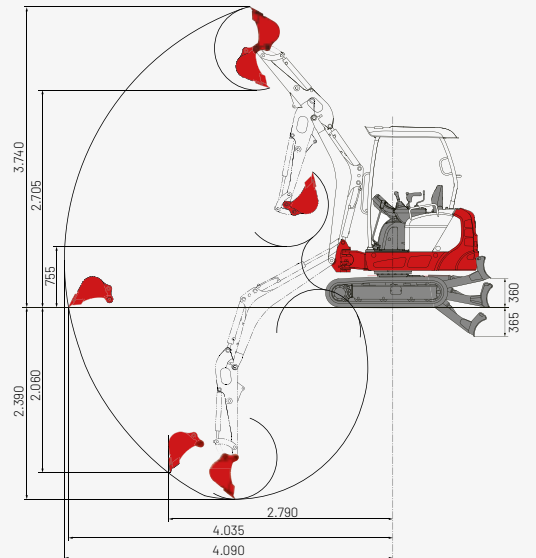
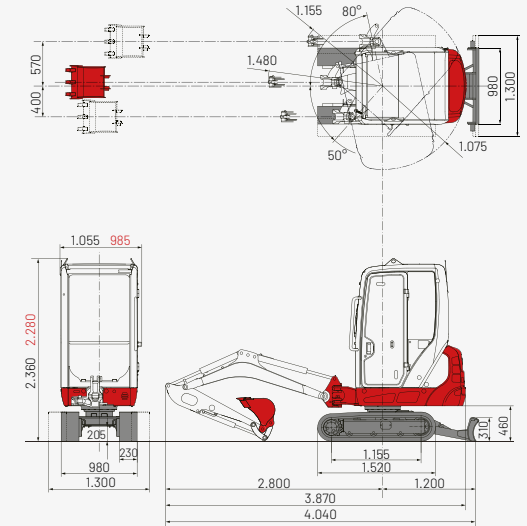


Canopy, forward (upper dozer blade)



Dimensions (mm)

Black: cabin and canopy
Red: alternative dimensions canopy



The loads in the diagrams on the left are within 87% of the hydraulic lifting load and within 75% of the tipping load.

Huppenkothen – your construction site, your partner, your success!

If you're looking to buy or rent a construction machine, if quality is important to you and you have no time to lose, then you've come to the right place with Huppenkothen. We provide all you need for your construction site. If you have any questions:

We are always available.

41
Locations

350
Employees

4.500+
Machines

100 %
Service

AUSTRIA (AT)

/

Huppenkothen GmbH

Bundesstraße 117 / 6923 Lauterach
T +43 50 663 400 / F +43 5574 778 24
info@huppenkothen.com

SWITZERLAND (CH)

/

Huppenkothen Baumaschinen AG

Hinterwiden / 9245 Oberbüren
T +41 71 944 18 11 / F +41 71 944 18 69
oberbueren@huppenkothen.com

SOUTH-TIROL (IT)

/

Huppenkothen GmbH / SRL

Peter-Anich-Straße 1 / 39011 Lana (BZ)
T +39 0473 491 170 / F +39 0473 491 171
lana@huppenkothen.com

SLOVENIA (SVN)

/

Huppenkothen d.o.o.

Slovenčeva ulica 97, 1113 Ljubljana
T +386 15 300 333 / F +386 15 300 344
ljubljana@huppenkothen.com

The complete
Huppenkothen
product range

